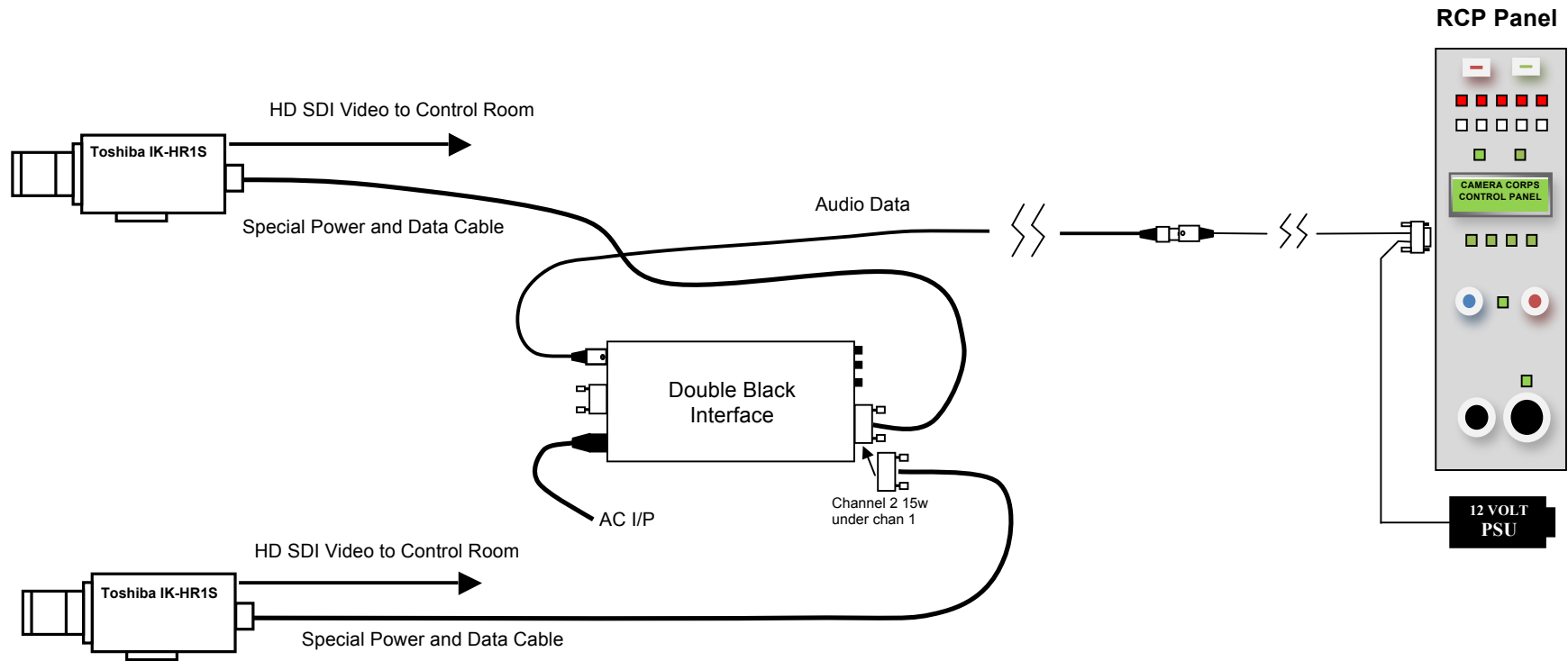




Toshiba IK-HR1S

Configuration shown with RCP controller & Double Interface box



Notes

1. This system is used for fixed IK-HR1S cameras with HD SDI video output. A 'Double' Interface Box can control two cameras
2. The IK-HR1S is fitted with the ultra wide angle Theia lens
3. There is no iris motor used with this camera, as the lens iris is extremely sensitive. Set the iris manually to about 1 stop overexposed for the lowest likely light level
4. Then set the RCP to 'Auto' iris and use the iris override feature to adjust the exposure