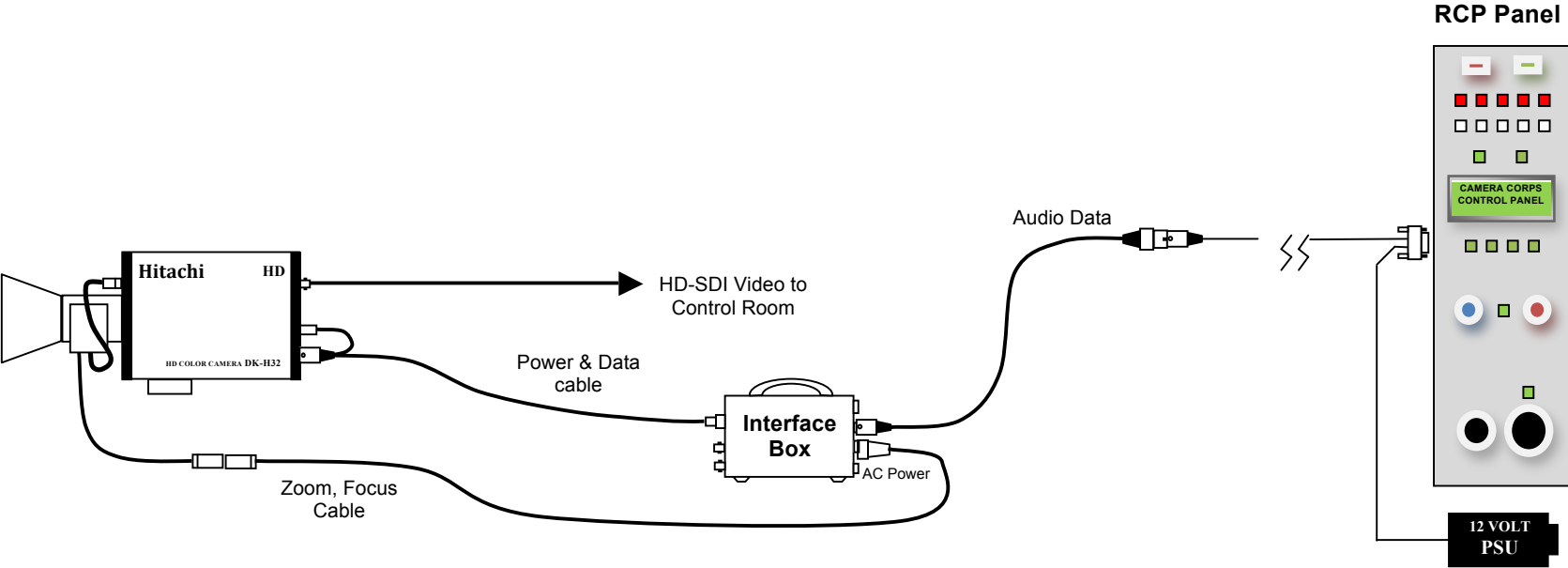




Hitachi DK-H32 Camera

Configuration shown with Camera Corps RCP Panel



Notes

- 1. This system is used for fixed cameras with HD-SDI video output
- 2. The lens zoom and focus can be preset using the P&T option on the RCP panel
- 3. Note: The HD-SDI signal will only travel around 100m on normal video cable