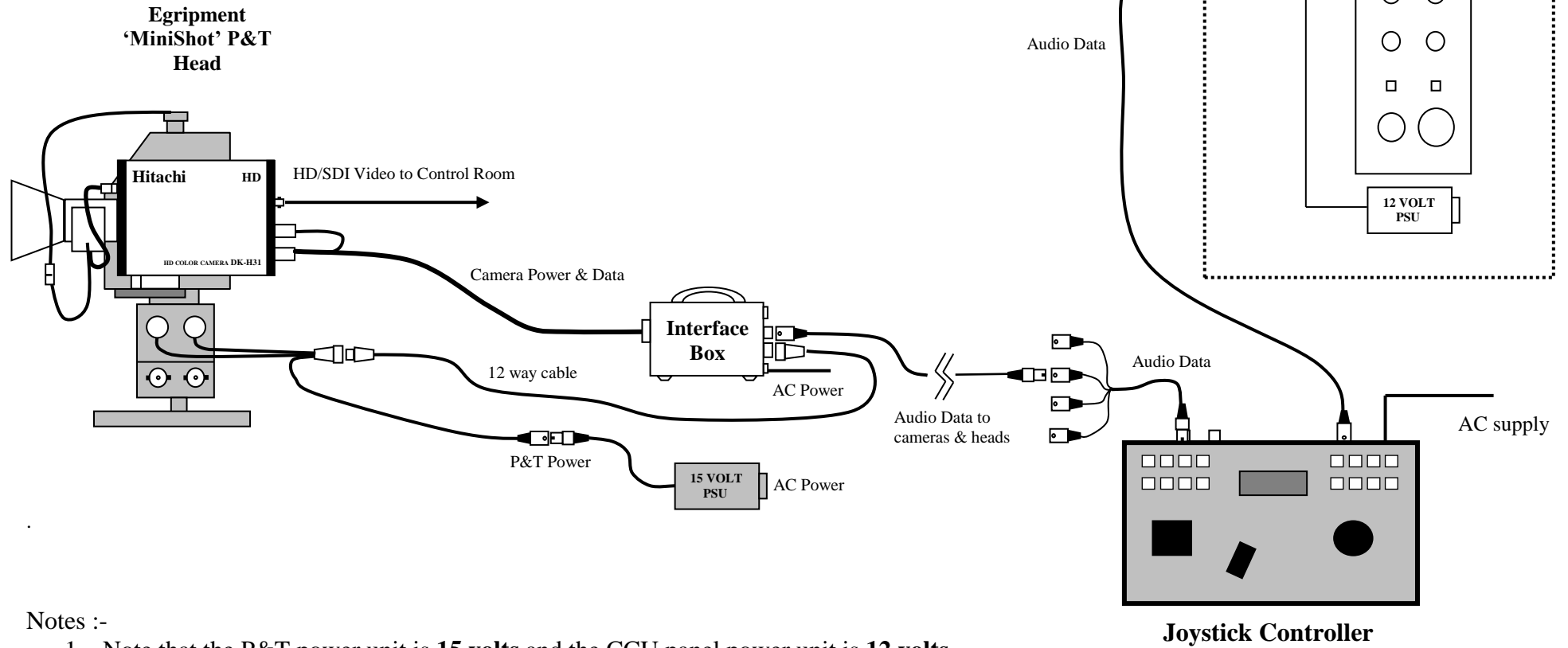




# MiniShot with Hitachi DK-H100



Notes :-

1. Note that the P&T power unit is **15 volts** and the CCU panel power unit is **12 volts**.
2. Double Interface box powers Minishot head directly. No separate power is required.