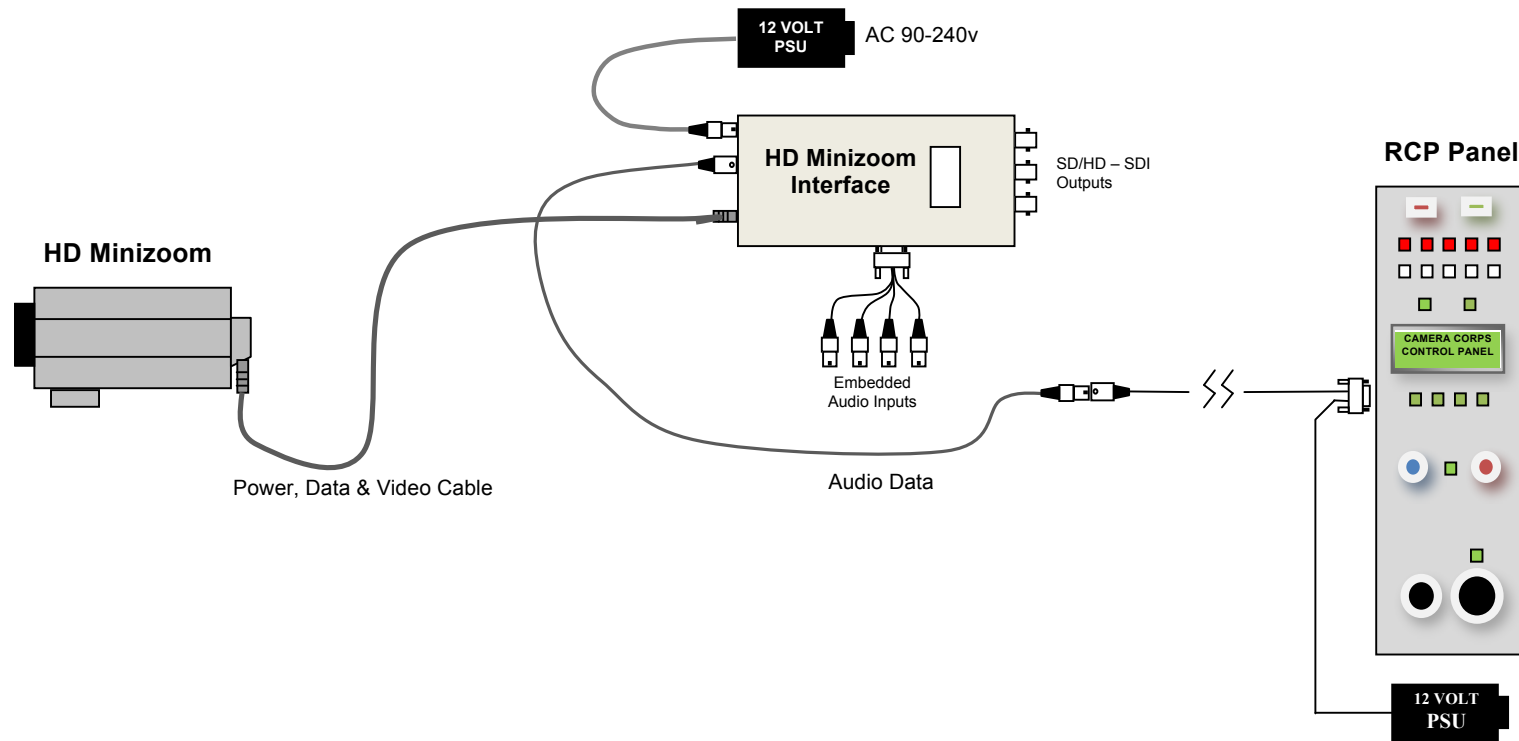




HD Minizoom

Configuration shown with RCP Panel



Notes

1. This system is used for fixed cameras with HD SDI video output
2. The lens zoom and focus can be preset using the P&T option on the RCP panel
3. Note: The camera ID must be set on front of Interface box